

STANDARD AND OPTIONAL EQUIPMENT

◎ : Standard ● : Optional

	HD50V5	HD60V5
● Safety equipment		
ROPS canopy	◎	◎
TOPS canopy	●	◎
Safety lock lever	◎	◎
Retractable seat-belt	◎	◎
Boom working light ※1	◎	◎
LED boom working light ※1	◎	◎
Front and Rear working light(Only cabin: Front 2, Rear 1)	●	●
Rear side mirror (only cabin)	●	●
Automatic parking brake (slewing table)	◎	◎
Automatic parking brake (traveling)	◎	◎
Caution indication	◎	◎
Swing table under cover	◎	◎
Reinforced hose(partial)	◎	◎
Rear side reflective plate	◎	◎
Engine fan guard	◎	◎
Secondary engine stop switch	◎	◎
Tie down point	◎	◎
Front guard(ROPS, cabin)	●	●
Traveling alarm	●	●

	HD50V5	HD60V5
● Working equipment		
0.08m ³	●	●
0.11m ³	●	●
0.14m ³	◎	◎
0.16m ³	●	●
0.18m ³	◎	◎
STD Arm	◎	◎
Long Arm(+250mm)	●	●
Super Long Arm(+500mm)	●	●
Reinforced type	◎	◎
Additional counterweight (+290kg)	●	●
● Operation room option (only cabin)		
Operation room	HD50V5	HD60V5
Heater ※2	●	●
Air conditioner ※2	●	●
AM radio	●	●
● Operation room		
4-post canopy (ROPS)	◎	◎
2-post canopy (TOPS)	●	●
Cabin (ROPS)	●	●

	HD50V5	HD60V5
● Operation seat		
12V electric supply port	◎	◎
Cup holder	◎	◎
Arm rest	◎	◎
Electric control throttle knob	◎	◎
Multiple one-key	◎	◎
Manual storage box	◎	◎
Analogue monitor	-	-
Analogue monitor(engine error code)	◎	◎
Seat suspension	◎	◎

	HD50V5	HD60V5
● System		
Mode selection (Vmax mode / ECO mode)	◎	◎
Auto-idling mode	◎	◎
Auto transmission	◎	◎
● Traveling equipment		
400mm high-durability rubber shoe	◎	◎
400mm steel shoe	●	●
Traveling frame undercover	◎	◎

	HD50V5	HD60V5
● Piping and others		
Anti-drift valve	●	●
1st aux. piping for attachment(W/A selectable)	◎	◎
2nd aux. piping for attachment ※3	●	●
3rd aux. piping for attachment	●	●
Aux. piping proportional control ※4	●	●
Stop valve for 1st aux piping port	●	●
Pattern change valve(AB) ※5	●	●
Pattern change valve(AF) ※5	●	●
Pattern change valve(ABCD) ※5	●	●
Cold region battery	●	●
Designated paint	●	●
Relief valve for aux port(13.7MPa)	●	●
Relief valve for aux port(17.2MPa)	●	●
● Maintenance		
Double element air cleaner	◎	◎
Cartridge type return filter	◎	◎
Hydraulic oil tank with air breather system	◎	◎
Side by side cooling	◎	◎
Plastic fuel tank	◎	◎
Large fuel filter	◎	◎
Water separator with electric sensor	◎	◎
Dustproof net in front of radiator	●	●
Castle nut for adjustment (boom tip)	◎	◎
Castle nut for adjustment (arm link)	●	●
Engine error code display	◎	◎
Engine diagnosis CAN service connector	◎	◎
Tool set	◎	◎

※1 Cannot be installed at the same time ※2 Cannot be installed at the same time ※3 2nd or 2nd and 3rd aux piping cannot be selected without the 1st aux piping ※4 E grip type

※5 Cannot be installed at the same time

SPECIFICATION AND COMBINATION OF BUCKET

● : General purpose □ : Light work ○ : Unusable

		HD50V5					HD60V5				
Bucket capacity (JIS M3)(m ³)		0.08	0.11	0.14	0.16	0.08	0.11	0.14	0.16	0.18	
	without side cutter	350	450	550	600	350	450	550	600	650	
Bucket width(mm)		400	500	600	650	400	500	600	650	700	
	with side cutter										
Number of bucket teeth		3	3	4	4	3	3	4	4	4	
	Standard arm	●	●	●	□	●	●	●	●	●	
	Long arm	●	●	×	×	●	●	●	×	×	
Super long arm ※	●	●	●	×	-	-	-	-	-	-	

※ With additional counterweight

SHOE

KATO



Technical Specification

HD50V5

Model : HD50V5 Machine weight : 4,650kg Operating weight : 4,725kg
 Bucket capacity : 0.08m³~0.16m³[Standard 0.14m³]

■ENGINE

Model KUBOTA V2403-CR-E5B
 Rated output 32.4kW/2,400min-1
 Max. torque 155.5N·m/1,500min-1

■DIMENSIONS

Overall length 5,300mm
 Overall height 2,550mm
 Overall width 1,990mm
 Max. ground clearance 300mm
 Tail slewing radius 995mm
 Crawler length 2,500mm
 Shoe width 400mm

■TRAVEL & SWING SYSTEM

Travel speed 2.9/4.6km/h
 Max. swing speed 9.3min-1
 Grade ability 58% (30°)
 Ground pressure 27kPa (0.28kgf/cm²)

■DIGGING FORCE

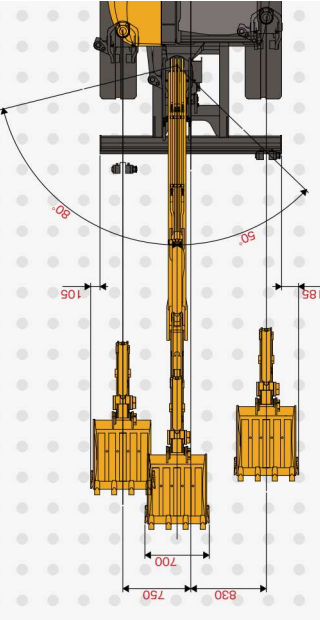
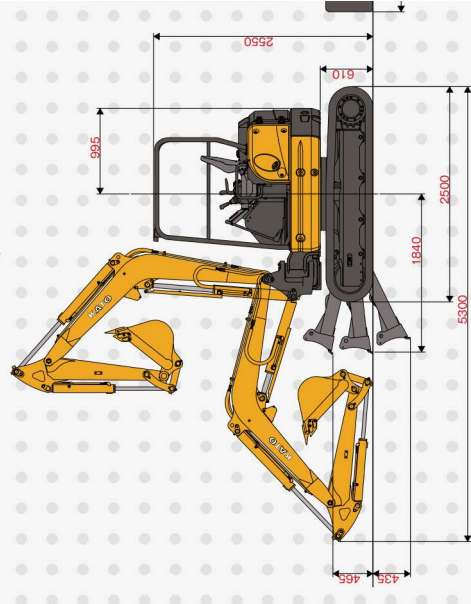
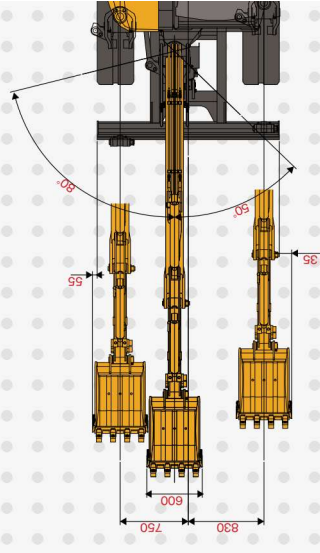
Bucket digging force 31.0kN
 Arm digging force 24.2kN

■CAPACITY

Hydraulic tank 56L (reference capacity)
 Fuel tank 66L

■HYDRAULIC SYSTEM

Pumps Double variable piston pump and gear pump
 Swing motor Constant displacement piston type with swing brake
 Travel motor Variable displacement plunger motor
 Control valves 9 section multiple control valves
 Max. pressure 24.5MPa (250kg/cm²)



HD60V5

Model : HD60V5 Machine weight : 5,370kg Operating weight : 5,445kg
 Bucket capacity : 0.08m³~0.18m³[Standard 0.18m³]

■ENGINE

Model KUBOTA V2403-CR-E5B
 Rated output 32.4kW/2,400min-1
 Max. torque 155.5N·m/1,500min-1

■DIMENSIONS

Overall length 5,510mm

■TRAVEL & SWING SYSTEM

Travel speed 2.9/4.6km/h
 Max. swing speed 9.3min-1
 Grade ability 58% (30°)
 Ground pressure 31kPa (0.32kgf/cm²)

■DIGGING FORCE

■HYDRAULIC SYSTEM

Pumps Double variable piston pump and gear pump
 Swing motor Constant displacement piston type with swing brake
 Travel motor Variable displacement plunger motor

